

**NOTE TO TRUSS MANUFACTURE:**

2019.11.27 – Manufactured Items and Materials

All materials like a truss, floor joist, beams, etc. **CAN NOT** be designed, put into production or purchased for installation based upon these drawings alone.

**ALL** dimensions need to be verified during construction and before the material is purchased, ordered or put into production. The manufacture, like the truss manufacturer, builder, contract or framer **MUST**

review all relevant dimensions and inform Virtual Creations and the manufacture of any discrepancies. At the minimum the client must at least contact Virtual Creation to review the as build condition before purchasing, ordering or putting into production any and all materials.

**FAILURE** to verify these dimensions will absolve Virtual Creations of any responsibility of errors or discrepancies in our plans. By paying this invoice you agree to this requirement and condition.

**DIMENSION NOTE:**

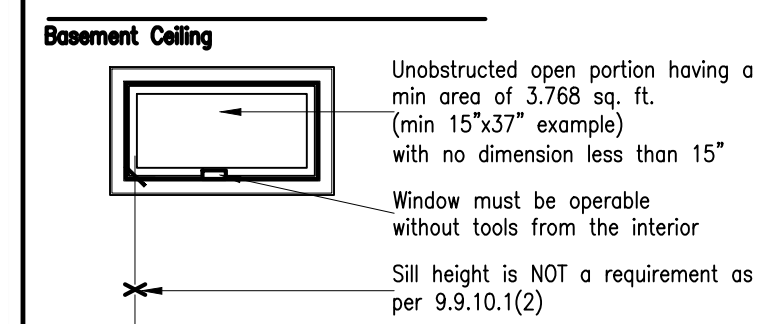
2019.12.05 – There are different ways of dimension architectural floors, what follows is an explanation of the why interior walls are dimensioned as 4" or 6" vs other methods.

Some Architectural drawings chose to dimension the rough wood stud framing. However this would create a lot fractioned dimensions on the plans and would require the framer to account for the 1/2" drywall material in some conditions like bathroom tube and stair wells.

Some Architectural drawings chose to dimension the finished wall thickness. However this would create a lot fractioned dimensions as well.

These Architectural set of drawings chose to dimension interior walls to a round 4" or 6" dimension. We feel this is the cleanest dimension as they do not have fractions, and at most produce a 1/4" error which isn't typically an issue. Further we full appreciate that we can not ask trades in the field to measure to 1/4" accuracies nor to we assume that as built construction could hold those tolerances.

**9.9.10.1 Egress from Bedrooms**



Where this window opens into a window well a clearance of not less than 22" shall be provided in front of the window on the exterior.

One window in the basement must comply with these requirements as there is not a door on the same floor level as the bedroom which provides direct access to the exterior.

**Part 4 Loads used**

**Deflection limits**

**Commitment to General Review**

Yes	No
<input type="checkbox"/>	<input type="checkbox"/>

**Electrical Safety Authority**

Doing electrical work? A notification must be filed with the Electrical Safety Authority. Hiring someone to do electrical contractor.

It's the law.

For more information go to [www.essaft.com](http://www.essaft.com) or call 1-877-372-7233

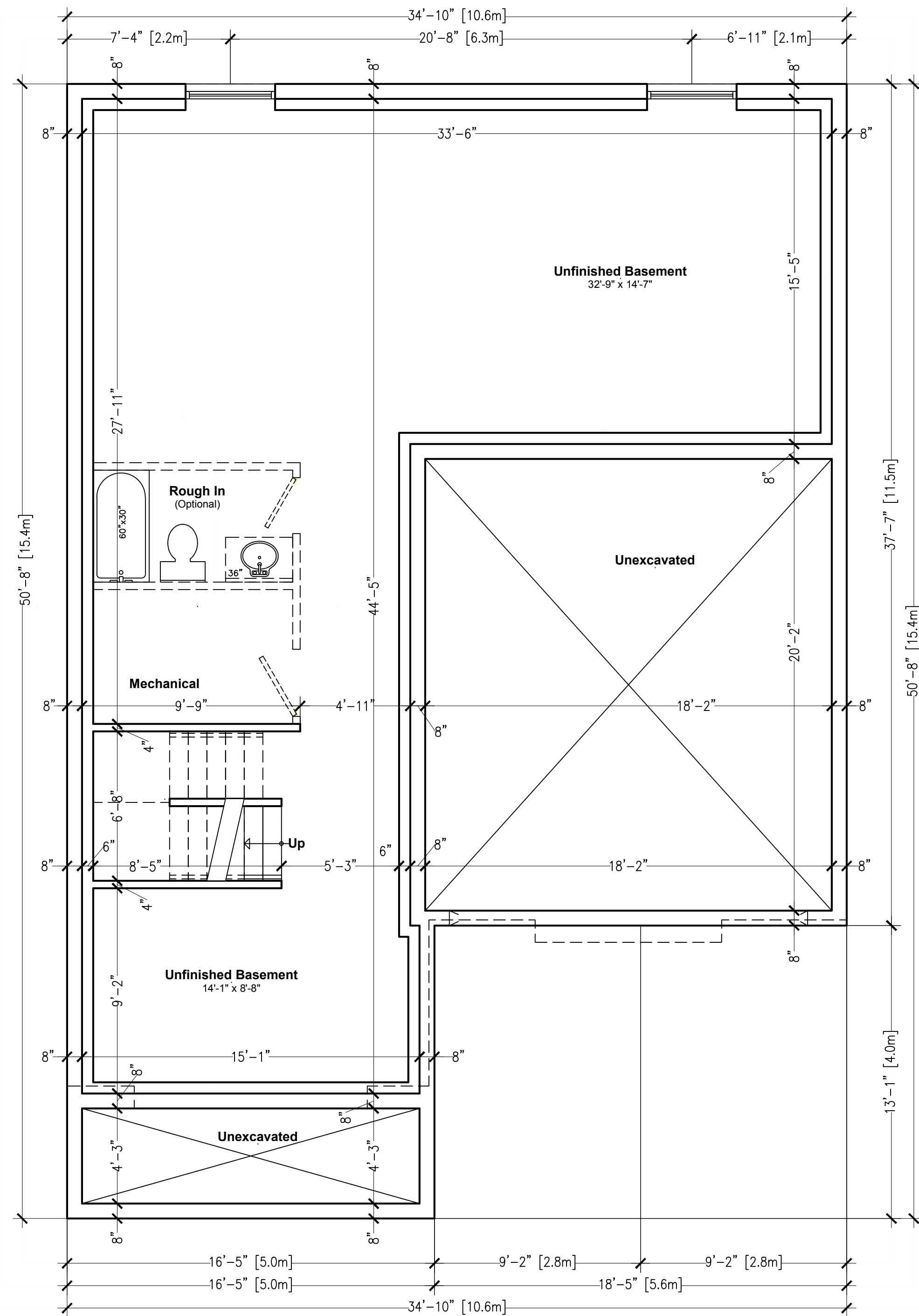


**Notes: Engineering Drawings**

These drawings shall be read in association with the engineering floor joist and specifications as well as the engineering truss layout and specification.

**OBC 9.10.19.3 – Smoke Alarms**  
(Renovations Only)

Existing smoke alarms are acceptable, however, if the scope of work involves renovating existing bedrooms, changing room uses from a non bedroom use to proposed bedroom use or an addition which includes a bedroom many requirements of 9.10.19.3 would apply including being interconnected, hardwired and with visual notification. If a smoke alarm is required it will be noted on drawings



Foundation Floor Plan  
SCALE 1/4" = 1'-0"

**VIRTUAL CREATIONS INC.**  
 PROJECT: Stonehaven Plan 1b, Burlington Ontario  
 PROJECT No: 2020-568  
 BCIN No. **28844**  
 (905) 481 1153  
 Client: Dawn Victoria Homes  
 Classification: \_\_\_\_\_  
 Original Signature: \_\_\_\_\_  
**WWW.VCINC.CA**  
 ERIC CANTON BCIN#25135  
 ISSUED: 04/28/2021  
 AT VIRTUAL CREATIONS INC. THE BEST EFFORT HAS BEEN MADE TO RECORD EXISTING BUILDING STRUCTURES AND PROPOSED A COMPREHENSIVE SET OF CONSTRUCTION DRAWINGS. HOWEVER, THERE ARE AREAS AT THE TIME OF DESIGNING THAT ARE UNAVAILABLE OR INACCESSIBLE. WITH PROPER CO-ORDINATION FROM THE CLIENT, THESE AREAS WILL BE RECORDED AND THE DRAWINGS WILL BE REVISED TO REFLECT THE AS-BUILT CONDITIONS. VIRTUAL CREATIONS INC. IS NOT RESPONSIBLE FOR ANY DISCREPANCIES OR SUBSTITUTIONS FOR REVIEW BEFORE COMMENCING CONSTRUCTION. ALL DESIGNS AND DRAWINGS ARE THE SOLE PROPERTY AND COPYRIGHT OF VIRTUAL CREATIONS INC. ANY REPRODUCTIONS MUST BE AUTHORIZED BY VIRTUAL CREATIONS INC OR PURCHASED THROUGH VIRTUAL CREATIONS INC DIRECTLY.